

U s'Käpsele®

*>> ganz schön
clever <<*

Installation instruction

Montageanleitung Instructions de montage



The innovative and space-saving mounting bracket for your
Krups® Nespresso® Pixie /
DeLonghi® Nespresso® Pixie coffee machine
and the coffee capsules for the Nespresso® System

Die innovative und platzsparende Halterung für Ihre Krups® Nespresso® Pixie /
DeLonghi® Nespresso® Pixie Kaffeemaschine und die Kaffeekapseln für das Nespresso® System

Le support innovant et peu encombrant pour votre Krups® Nespresso® Krups® Nespresso® Pixie /
DeLonghi® Nespresso® Pixie machine à café et les capsules de café pour le système Nespresso®.

Nespresso® und die Kapselformen sind eingetragene Produkte und Marken der Nestlé S.A.

1. Remove the s'Käpsele® from the packaging.

2. Package content

1 x s'Käpsele® P

1 x Velcro tape 500 x 20 mm (A)

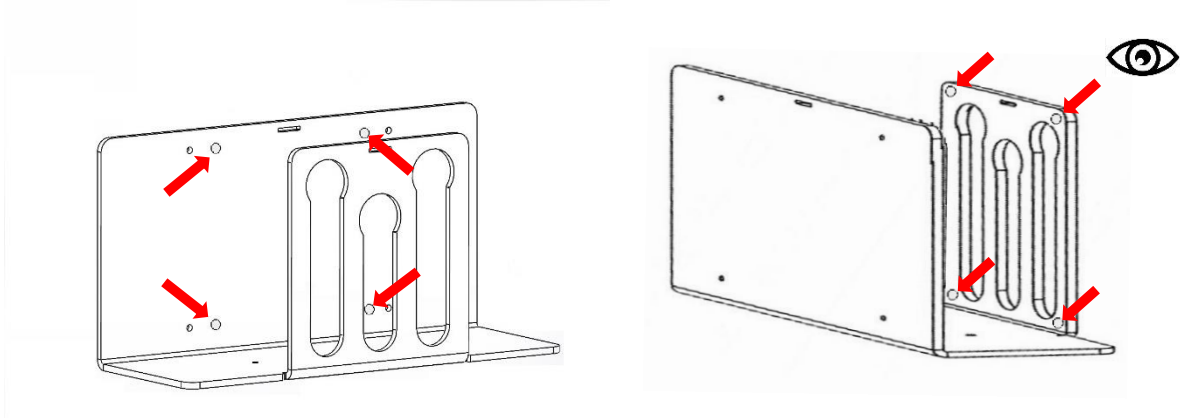
4 x Screw (B)

4 x Soft washer PVC - ID=4,3 / AD = 13,0 / H = 1,0 mm (C)

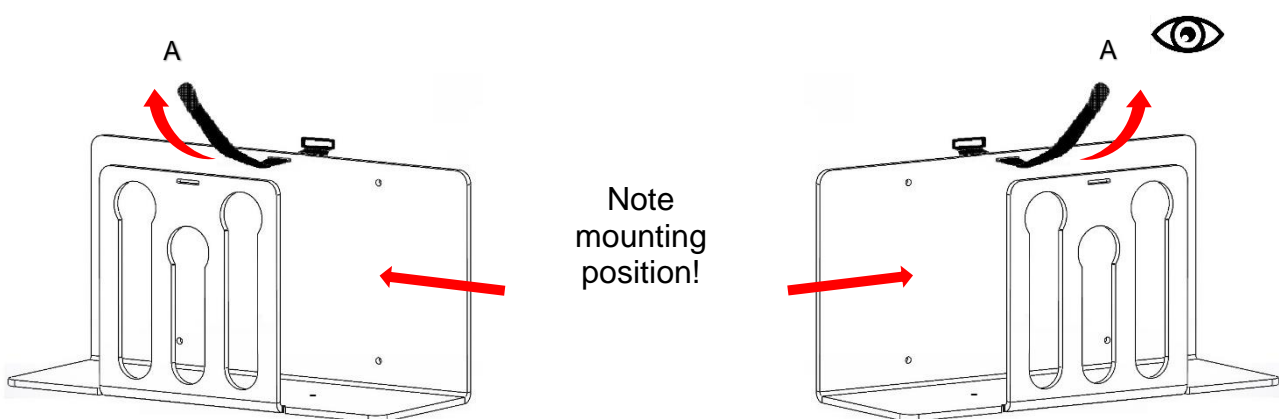
4 x Soft washer PVC PVC - ID=4,3 / AD = 15,0 / H = 2,0 mm (D)

1 x Installation instruction

3. Check that the anti-slip spacers, 4 on the back side and 4 on the front side, are properly attached on the inside of the bracket.

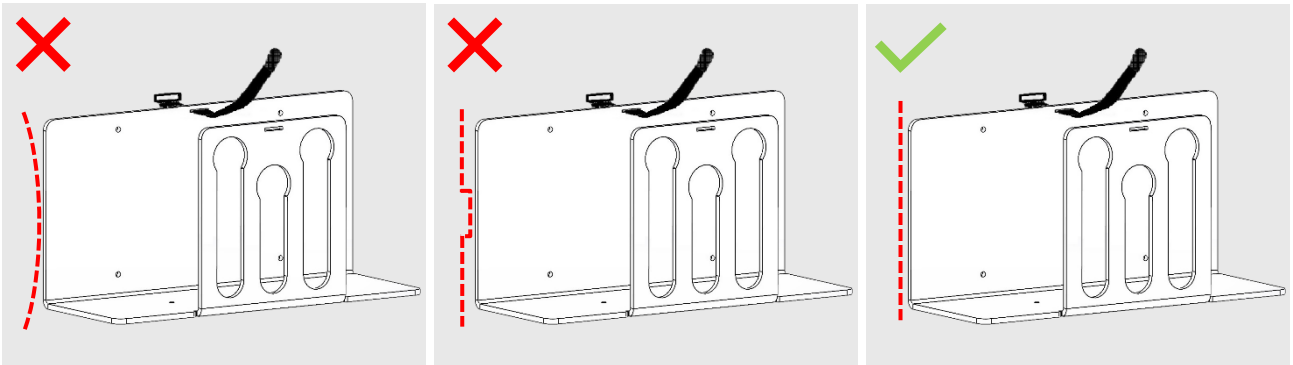


4. Thread the supplied Velcro tape (A) through the rear slot in the s'Käpsele®. The Velcro and felt surface must point downward.



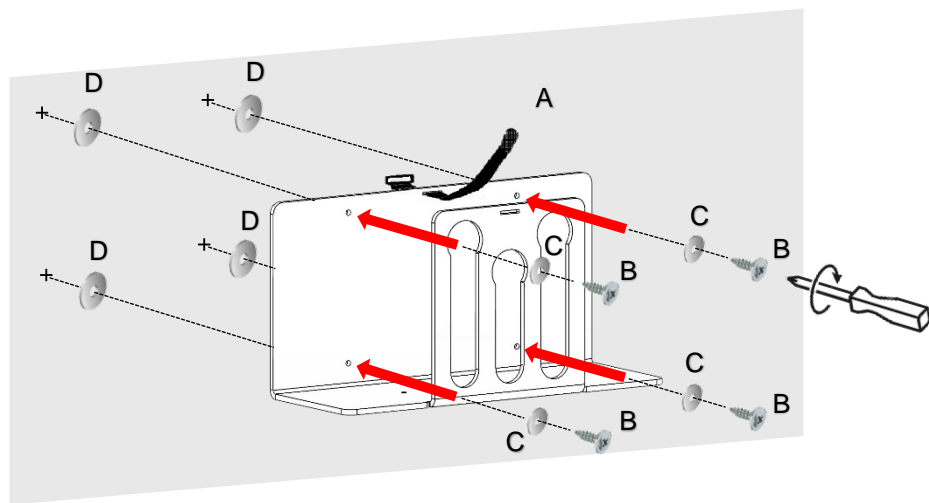
5. Mounting

The mounting surface or wall must be straight and smooth.



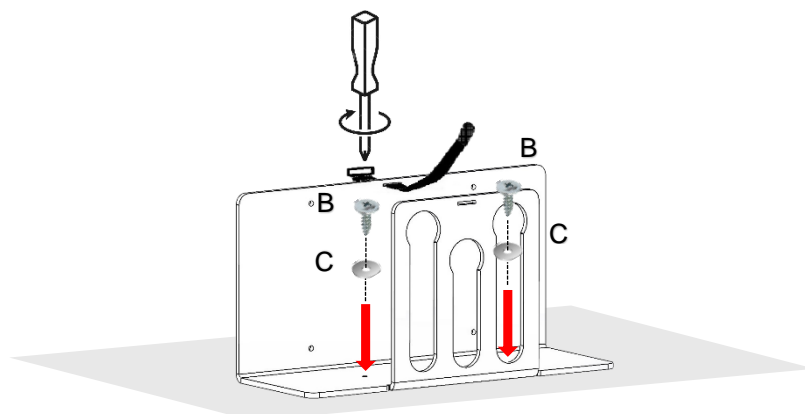
A. Wall mounting

Fasten the s'Käpsele® with provided screws (B) and the soft washers (C) through the holes in the back plate. Use the supplied spacers (D) between the s'Käpsele® and the wall. Do not overtighten the screws. Caution: Danger of breakage.

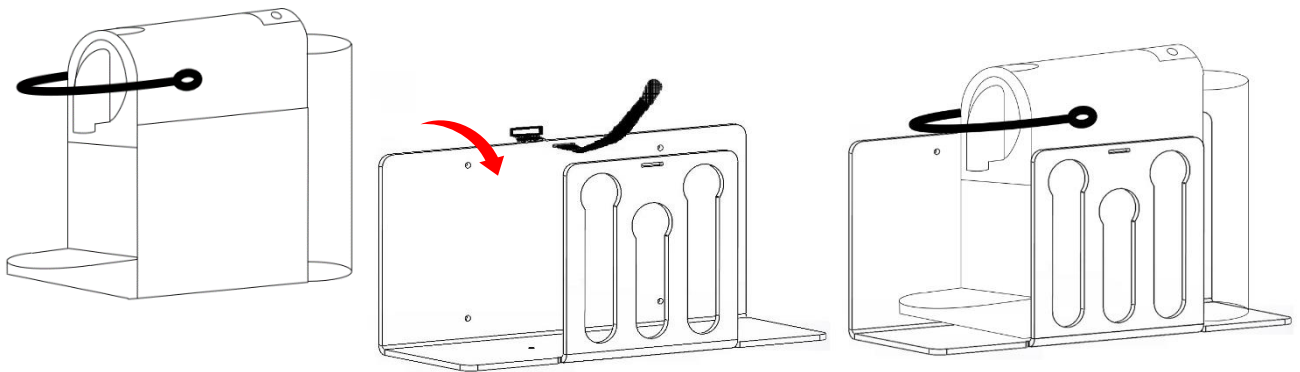


B. Ground mounting

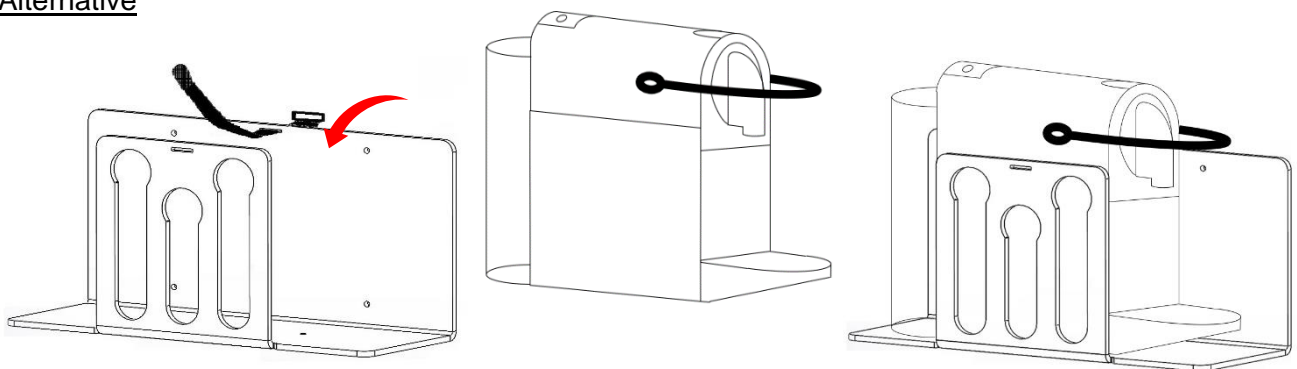
Fasten the s'Käpsele® with suitable screws (B) and the soft washers (C) to the 2 drill holes of the base plate. The surface must be straight and smooth so that the bracket rests on the entire surface. Do not overtighten the screws. Caution Danger of breakage.



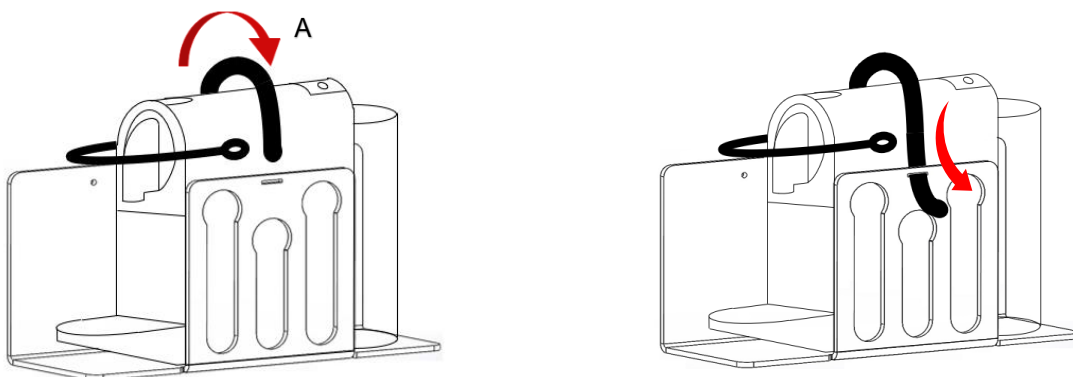
6. Depending on the mounting direction, insert the coffee maker into the s'Käpsele®.



Alternative

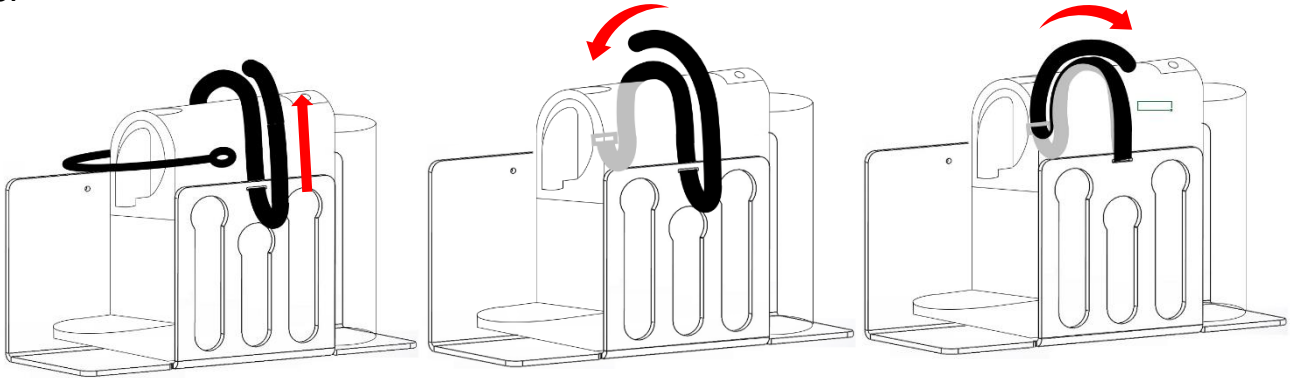


Guide the Velcro strap (A) over the coffee maker parallel to the front and insert it through the front slot in the s'Käpsele®.



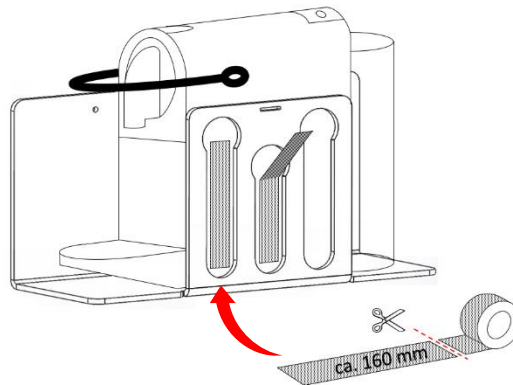
7. Push the Velcro strap (A) through the fixing eyelet and then pull the strap tight to secure the coffee maker in the s'Käpsele®.

8.

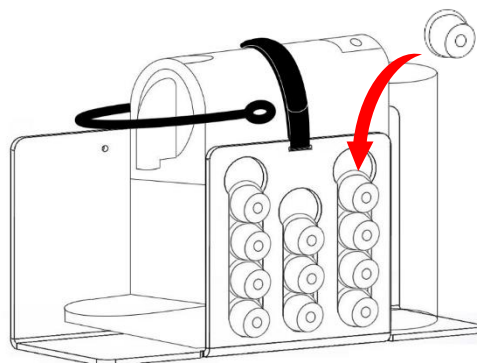


9. To avoid scratches the coffee maker with the coffee capsules, it is recommended to attach thin adhesive strips (for example, TESA® adhesive film) to the coffee machine. Not included in delivery.

EN: recommended
DE: empfohlen
FR: recommandé



10. Insert coffee capsules from the top into the elongated slots in the side wall.



11. Your s'Käpsele® is now ready for use.

12. Pflegehinweise:

The s'Käpsele® is made of PLEXIGLAS®. Only use warm water and a soft sponge for cleaning. Acidic, alcohol-based cleaners or disinfectants can damage the s'Käpsele®.

Enjoy your s'Käpsele®



SCAN ME



Frank4Camp UG
(haftungsbeschränkt)
Neckarstraße 5
78667 Villingendorf, Germany
info@frank4camp.de
www.frank4camp.de



Patent-Nr.: 10 2022 117 116